

General guidelines

- Never open this fixture while in use.
- The fixture should be kept clean. DO NOT operate the fixture in extreme heat or dusty environments. Avoid contact with chemical liquid.
- It should be kept away from the high ambient or dusty environments. Don't let the fixture contact with chemical liquids.
- Minimum distance to lighted objects must be 3.28feet (1m).
- Maximum temp of the external surface 140°F (60°C).
- Maximum ambient temperature 113°F (45°C).
- Minimum distance of inflammable materials from the surface 1.6 feet (0.5m)
- The light source of the fixture should be changed by the manufacture or its service agent or certified technicians.

WARNING! Risk of electric shock.

- The basic insulation should be kept between the controllable device and the power supply.
- Cover, lens or Menu Function Display with visible damages such as cracks or scratches must be replaced to ensure performance of the fixture.
- Disconnect the fixture from power before changing any parts or accessories
- Make sure that the installation area can hold a minimum point load of 10 times the weight of all installed fixtures, clamps, cables, auxiliary equipment, etc. Check that the cover, clamps and locks are undamaged. Certified safety cables must always be used when installing the fixture.
- The fixture is only intended for installation, operation and maintenance by qualified professional. Instructions stated in the manual must be complied.
- The fixture must be kept in a well-ventilated place at least 50 cm away from any wall surface. Check if the fans or ventilation openings are unblocked.
- Broken or damaged cables can only be fixed or changed by certified technicians, certified local distributors or the manufacturer to ensure operational safety.
- Do not stick filters or other materials onto the lens. Do not modify the fixture or install other than LD Lighting manufactured parts.

Made in China

LD Lighting

COB LED LIGHT

4 x 80W

USER MANUAL



Please read this user manual carefully before using this product!

Keep it for further reference

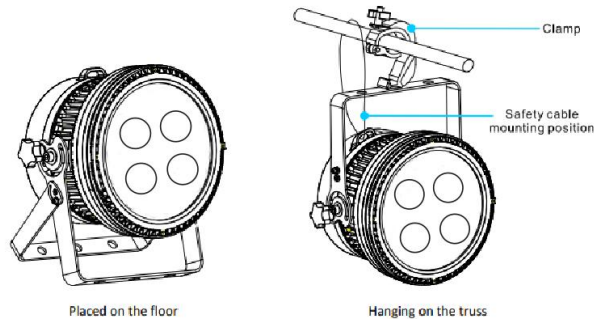
A. INSTALLATION

Clamps installation

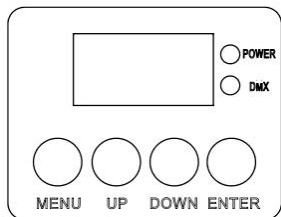
The fixture can be placed on the stage or mounted on the truss facing any direction. The fast-lock clamp gives a quick and easy lock on the truss.

Device installation

1. Make sure there is no damage on the clamps or safety cables before installation.
2. The clamp is mounted on the holder of the fixture. Horizontally insert the clamp into the mounting holes of the holder. Fasten the clamp tightly.



B. LED DISPLAY PANEL



LED indicators

- Power on: RED power LED indicator on
- Signal on: Green DMX indicator on
- No Signal: Green DMX indicator off

- The control panel with buttons and digital display can access the function menu and configure the fixture easily.
- Press MENU to check or modify the functions of the fixture; Press UP or DOWN to view or select the function menu.
- Press ENTER to choose a function and enter into corresponding sub menu. Each menu represents a specific function of the fixture.
- Press ENTER to select the specific function and save the changes or enter into the submenu, then press UP or DOWN to change the value of the selected function (increase or decrease).
- Press MENU to return to the previous menu or exit

C. DMX512 CHANNEL

CH	Display	Function
1	Dimmer	W,Y dimmer : from dark to bright
2	W1 Dimmer	W1 Dimmer : from dark to bright
3	W2 Dimmer	W2 Dimmer : from dark to bright
4	W3 Dimmer	W3 Dimmer : from dark to bright
5	W4 Dimmer	W4 Dimmer : from dark to bright
6	Strobe	W,Y Strobe : from slow to bright
7	Function choice	0~50 : DMX 8CH Control 51~100 : Different Colors Output 101~150 : Colors Jump Change 151~200 : Colors Gradate 201~250 : Colors Pulse Change 251~255 : Sound-Active
8	Function speed	Speed function, from slow to bright

(Functional channels are subject to change without notice)

D. TECHNICAL SPECIFICATION

Optical

- Light source : Quantity 4PCS × 80W Led
- Expected average lifetime: 50.000 hours
- Beam angle : 25° standard (30°, 45° optional)

Control and programming

- Control channels (DMX) : 8 channel
- Control mode : DMX512, Master/Slave and Sound Active Audio, Auto-run (Digital display)
- DMX input/output : 3-pin XLR

Dynamic effects

- Dimmer : 0-100% linear adjustable
- Flicker : 0~20 F.P.S

Electrical

- Power input : AC 90-240V, 50-60 Hz
- Power consumption : 320 Watts