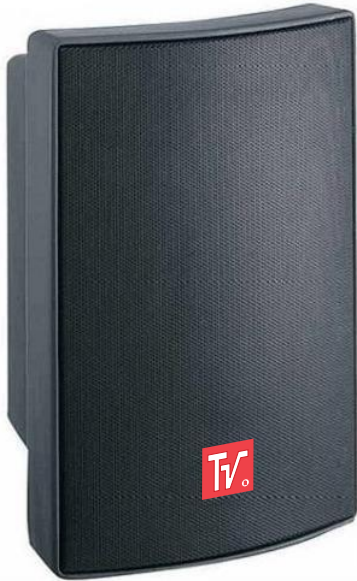


True Voice

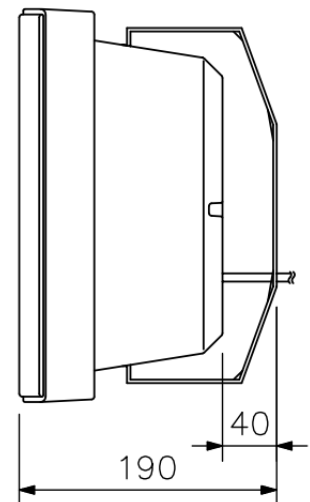
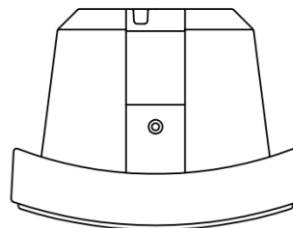
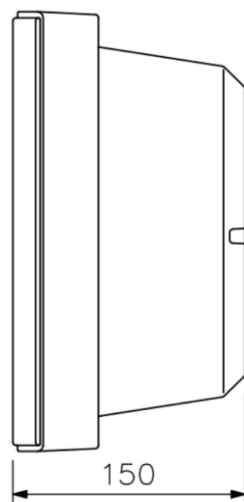
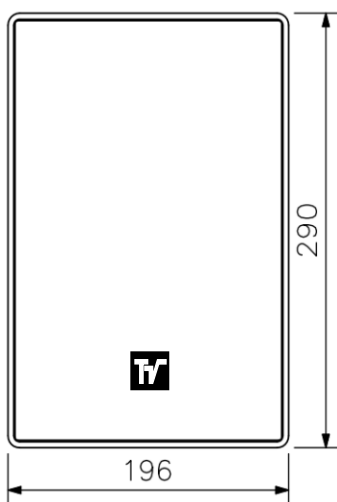
PROFESSIONAL SPEAKER®

T-60



SPECIFICATIONS

| | |
|---|--|
| Frequency response | 75Hz - 25000Hz (10dB) |
| Sensitivity | 89dB (W/m) |
| Max SPL | 104dB |
| Power | 60W / 8 Ohm 30W / 70-100V (With transformer) |
| Impedance | 167Ω, 333Ω, 667Ω, 1.30kΩ, 2.60kΩ & 8Ω |
| Sound coverage angle (sound flavor angle) | 1kHz 190 degrees 4kHz 125 degrees |
| Feature | There is a button to select power levels |
| Installation accessories | Mounting bracket x 1, bracket screw x 2, nut x 2 |
| Dimensions | 196 × 290 × 150 mm |
| Weight | 2.5 kg |
| Made in China | |



Specifications Subject To Change Without Notice

